



**THE NETHERLANDS
(N E D E R L A N D)**



COMMUNICATION

Concerning ⁽¹⁾:

- approval granted
- ~~- approval extended~~
- ~~- approval refused~~
- ~~- approval withdrawn~~
- ~~- production definitely discontinued~~

of a type of device pursuant to Regulation number 7.

Approval number: E4-7R-0211090

Extension number: 00

Approval mark:

HCR PL A
00 02



11090

*Indication of the approval mark for the device
on the right side.
The left side shall be symmetrical.*

- | | | |
|----|--|---|
| 1. | Trade name or mark of the device | : DEPO |
| 2. | Manufacturer's name for the type of device | : DEPO 444-1128R/L-LHD
FK 444-1128R/L-LHD |
| 3. | Manufacturer's name and address | : DEPO AUTO PARTS IND. CO., LTD.
No. 20-3, Nan-Shih Lane, Lu-Kang Chen,
Chang-Hua Hsien, Taiwan, R.O.C. |
| 4. | If applicable, name and address of the manufacturer's representative | : Not applicable |
| 5. | Submitted for approval on | : June 1, 2005 to February 9, 2006 |



6. Technical service responsible for conducting approval tests : TÜV Kraftfahrt GmbH
Technologiezentrum Verkehrssicherheit
Typprüfstelle Fahrzeuge/Fahrzeugteile
Postfach 91 09 51
D-51101 Köln/ Germany
7. Date of report issued by that service : February 24, 2006
8. Number of report issued by that service : 84-R7-00528/05
9. Concise description ⁽²⁾
- By category of lamp : A
- For mounting either outside or inside or both ⁽¹⁾ : ~~Outside or inside or both~~
- Colour of light emitted : ~~Red/selective yellow/white~~ ⁽¹⁾
- Number and category(ies) of filament lamp(s) : One W5W
- Special supply voltage : Not applicable
- Application of additional supply system : ~~Yes~~/no ⁽¹⁾
- Specification of this supply system : Not applicable
- Switched power supply:
- duty cycle : Not applicable
 - peak to peak voltage : Not applicable
 - and/or effective voltage : Not applicable
- Light source module : ~~Yes~~/no ⁽¹⁾
- Light source module specific identification code : Not applicable
- Geometrical conditions of installation and relating variations, if any : Refer to the drawing of the information folder
- Only for limited mounting height of equal to or less than 750 mm above the ground : ~~Yes~~/no ⁽¹⁾
10. Position of the approval mark : On the outer lens and on the housing of the lamp
11. Reason(s) for extension (if applicable) : Not applicable
12. Approval : ~~Granted/extended/refused/withdrawn~~ ⁽¹⁾
13. Place : Zoetermeer



14. Date : 09-MRT-2006

15. Signature :



F.E. Plancius

16. The list of documents deposited with the Administrative Service which has granted approval is annexed to this communication and may be obtained on request.

⁽¹⁾ Strike out what does not apply.

⁽²⁾ For lamps with non-replaceable light sources indicate the number and the total wattage of the light sources.

TEST REPORT

according to ECE-Regulation

**Uniform provisions concerning the approval of front and rear position
(side) lamps, stop-lamps and end-outline marker lamps for motor vehicles
(except motor cycles) and their trailers**

No.: **ECE-R7**

including all amendments until

No.: **02 series of amendments, suppl. 9**

Previously granted	
ECE – approval	: --

Structure of report:

0. General information
1. Test object(s) and general test information
2. Test minutes
3. Remark concerning tested object(s)
4. Appendices
5. Statement of conformity

0. General information

- 0.1. Trade mark or trade name of the lamp : DEPO
- 0.2. Manufacturer's name for the type of the lamp : DEPO 444-1128R/L-LHD
FK 444-1128R/L-LHD
- 0.3. Name and address of the manufacturer : DEPO AUTO PARTS IND. CO., LTD.
No. 20-3, Nan-Shih Lane, Lu-Kang Chen,
Chang-Hua Hsien, Taiwan, R.O.C.
- 0.4. Name and address of the manufacturer's authorised representative : Not applicable
- 0.5. No. of information document : 444-1128R/L-LHD
date of issue : June 1, 2005
date of last amendment : --

1. Test object(s) and general test information

1.1. Test object(s)

- Identification no. : Not applicable
- Model : 444-1128R/L-LHD
- Remark : Front position lamp incorporated in the headlamp

1.2. General test information

- 1.2.1 Order issued by (if different from manufacturer) : --
- 1.2.2 Test object received on : --
- 1.2.3 Test date : June 1, 2005 to February 9, 2006
- 1.2.4 Test site : Lu-Kang / Taiwan
- 1.2.5 Remark : The results of the test refer exclusively to the objects mentioned under point 1.1. of this report.

2. Test minutes

2.1. Test facilities : The measurement equipment used was in compliance with the test requirements.

2.2. Test results : ~~The lamp has been tested according to the amendments mentioned in Appendix 0. The photometric values were carried over from the basic report.~~

Markings : The trade mark is marked clearly legible and indelible on the outer lens of the lamp.

The filament lamp type is clearly legible and indelible marked on the housing of the lamp.

Space for the approval mark and for the additional symbols is provided on the outer lens and on the housing of the lamp.

2.3. General specifications : The lamp is designed and made that under normal use their satisfactory operation is ensured and they retain the required characteristics.

The colour of the light emitted inside the field of the light distribution grid defined in paragraph 2 of Annex 4 is within the limits of the coordinates prescribed in Annex 5 of the Regulation.

2.4. Photometric tests : The light emitted was obtained by means of an uncoloured standard lamp of the respective category, producing the required luminous flux.

The light distribution angles and levels of intensity have been measured in accordance with Annex 4 of the Regulation, based on the manufacturer's indication of the centre of reference and axis of reference.

In case of different intensities of light emitted required by the Regulation, the evaluations are based on the most unfavourable limits specified.

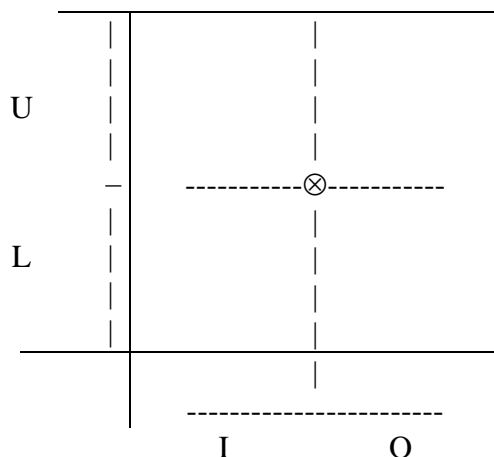
Results of photometric tests of the front position lamp

distribution of the intensity of the lamps in [cd]								
horizontal angle		L20°	L10°	L5°	V	R5°	R10°	R20°
vertical angle required minimum intensity	U10°			0.8		0.8		
	U5°	0.4	0.8		2.8		0.8	0.4
	H		1.4	3.6	4	3.6	1.4	
	D5°	0.4	0.8		2.8		0.8	0.4
	D10°			0.8		0.8		
vertical angle sample no. 1 (left side)	U10°			2.0		4.1		
	U5°	3.5	3.6		5.2		5.4	5.3
	H		7.1	6.2	5.3	4.3	5.0	
	D5°	16.5	6.4		4.3		6.3	9.1
	D10°			8.1		5.0		
vertical angle sample no. 2 (right side)	U10°			1.2		3.8		
	U5°	0.9	1.4		3.3		2.3	3.2
	H		4.3	3.9	9.4	4.4	5.7	
	D5°	1.1	5.4		4.8		6.0	5.5
	D10°			6.4		6.2		

	sample no. 1	sample no. 2	allowable maximum	required minimum
maximum intensity [cd]	33.1	25.6	100	--
minimum intensity in the fields defined in Annex 1 of the Regulation [cd]	0.07	0.08	--	0.05

2.5. Illuminating surface

: Vertical and horizontal outlines of the illuminating surface of the light-signalling device in relation to the centre of reference and in accordance with Annex 3 of Regulation No. 48:



function	upper boundary (U) [mm]	lower boundary (L) [mm]	inner boundary (I) [mm]	outer boundary (O) [mm]
front position lamp	29	58	62	42

2.6. Explanatory note

: This report describes the examination of the position lamp as a part of a lamp device.

For the examination of the other lamp of the device, refer to the following report:

Type of lamp : Test Report No.

Headlamp : 84-R112-00527/05

2.7. Variants and components

: Not applicable

3. Remark concerning tested object(s)

All versions of the lamps as stated in the information document are covered with the tested version(s) and test object(s) respectively.

4. Appendices

0 List of modifications

1 Information document No. : 444-1128R/L-LHD (1 page)
(excluding drawings)

5. Statement of conformity

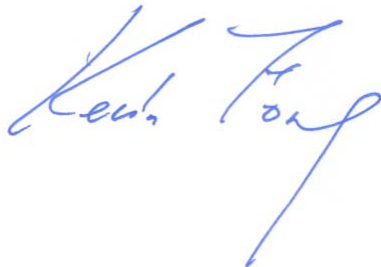
The information folder and the type described there comply with the requirements in the above mentioned directive/regulation.

The test laboratory is accredited for the above mentioned tests by the RDW, Vehicle Technology and Information Centre, the Netherlands:

Certification Number: RDW-99050014-02.

The test report comprises - including appendix 0 - the pages 1 to 8 and shall not be reproduced except in full without the written approval of the testing laboratory.

Cologne, February 24, 2006
BL/KFO



A handwritten signature in blue ink, appearing to read 'K. Fong', is written over the printed name.

M.S.M.E. K. Fong



List of modifications

Appendix 0

Correction of : --

Modification of : --

Addition of : --

Deletion of : --

Application Type: 444-1128R/L-LHD**First Application Date: June 1, 2005**

Application regulation:	ECE-R112-00 (class B for right hand side traffic), ECE-R7-02
--------------------------------	--

1. Light Sources

Function	Light Color	Rated Voltage	Rated Wattage	Category (ECE-R37)
Passing lamp	White	12V	55W	H7
Driving lamp	White	12V	55W	H7
Front position lamp	White	12V	5W	W5W

2. Construction and Material

Construction	Material	Remark
Outer lens	PC: LEXAN/LS2-112	Coating: HH9986U-N3, colourless
Housing	PP+GF30%	Aluminum vacuum coated
Reflector	BMC	Aluminum vacuum coated
Frame	PBT+GF20%	Black

3. Marking and Location

Marking	Location
Trade mark	DEPO, FK (as optional)
Lamp designation mark	H7 24V H7 24V W5W
Approval mark	E4

4. Drawing no.: 00\444-1128L1, 00\444-1128L2, 00\444-1128L3**5. Name and address of manufacturer:**

DEPO AUTO PARTS IND. CO., LTD.
No. 20-3, Nan-Shih Lane, Lu-Kang Chen,
Chang-Hua Hsien, Taiwan, R.O.C.

6. Name and address of representative of manufacturer:

Not applicable

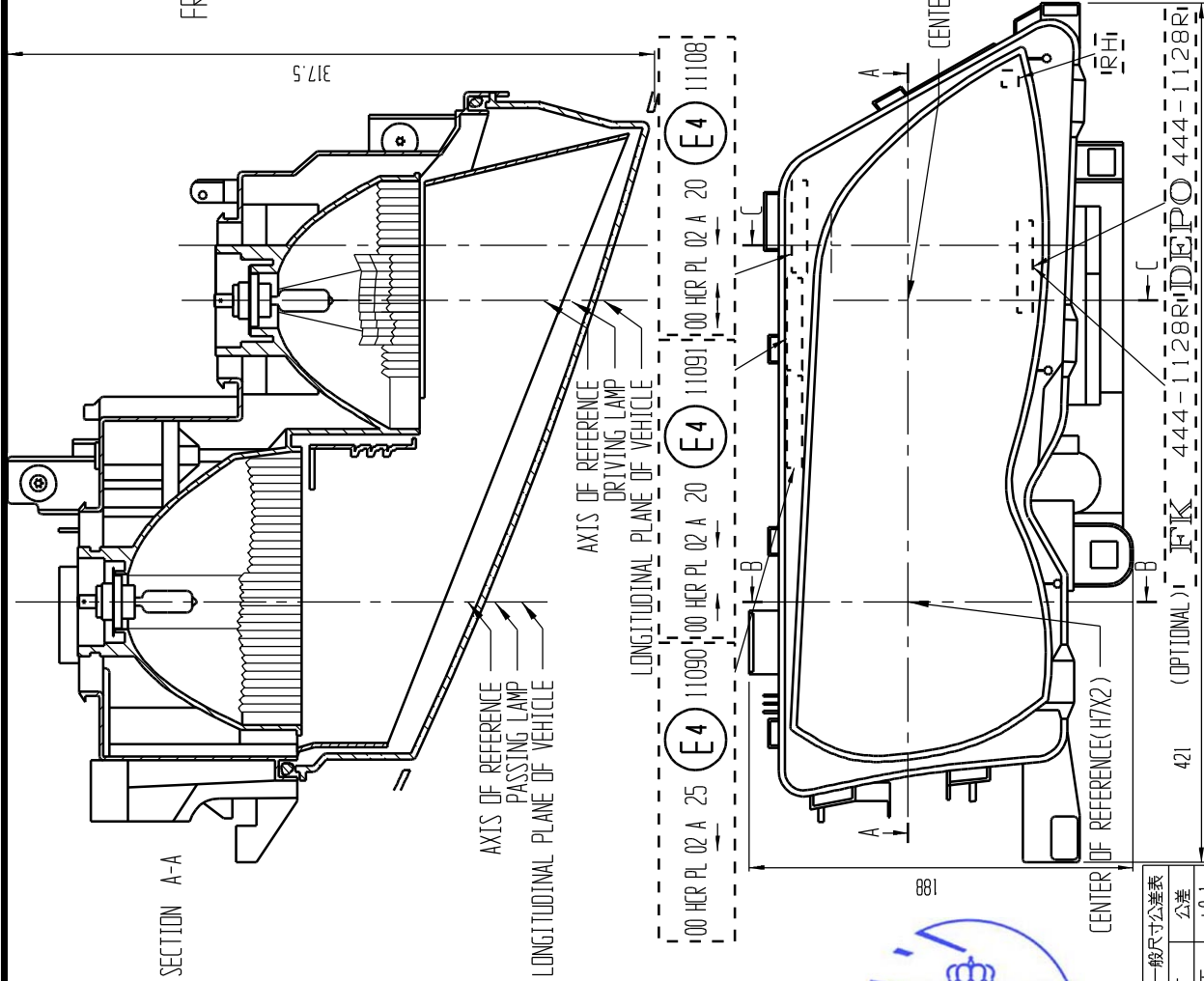
7. Remarks

Date: June 1, 2005
Place: Chang Hua
Person in charge: Hus Hus Chao



NOTE:
 1. THIS DRAWING SHALL BE APPLIED FOR RIGHT HAND ONLY AND LEFT HAND SHALL BE SYMMETRIC.
 2. THE OUTER LENS IS FIXED ON THE HOUSING BY USING SNAP-IN CONNECTORS.

FRONT OF VEHICLE



444-1128R-LHD	號	名	稱	材	質	R	L	規	格	備	註
製	圖	彭	淑	94/06/24	投	影	法	第	三	角	法
設	計	吳	庚	翰	比	例	0.4 : 1	單	位	MM	
審	核	陳	榮	元	圖	名	頭	燈	組	立	圖
		許	叙	超	圖	號	00N444-1128L2				

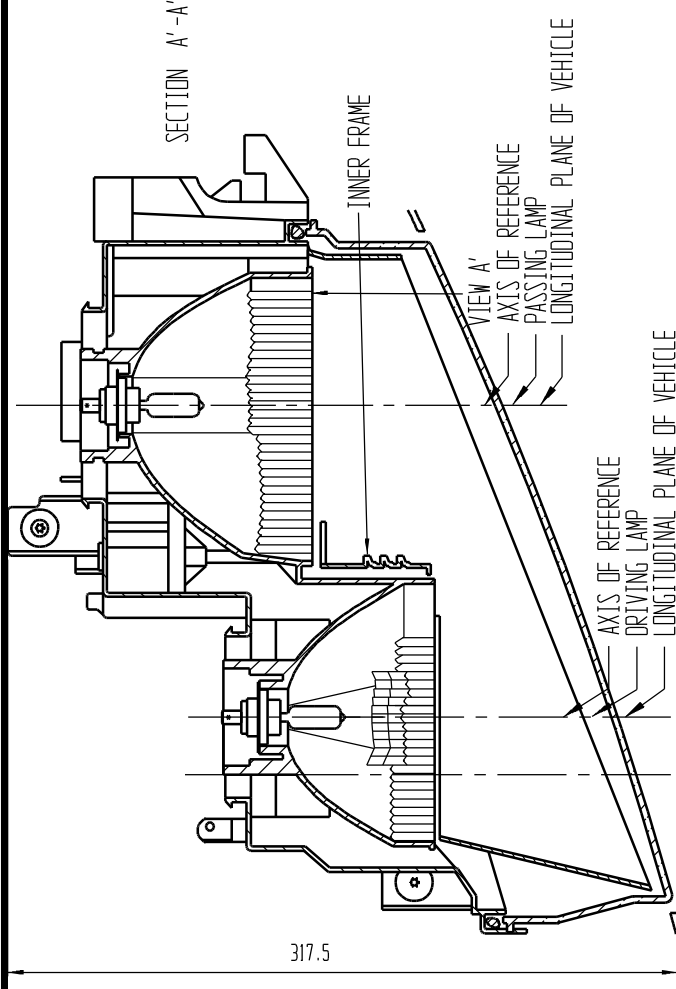
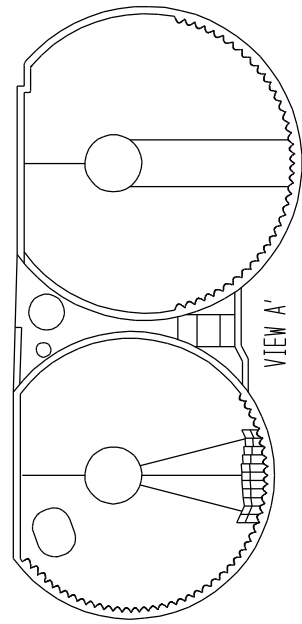
版次	修改說明	日期	製訂	審查	核準

機械加工一般尺寸公差表	
一般尺寸	公差
6以下	±0.1
6~30以下	±0.2
30~120以下	±0.3
120~150以下	±0.5
150以上	±1.0
未註記公差者通用公差表	

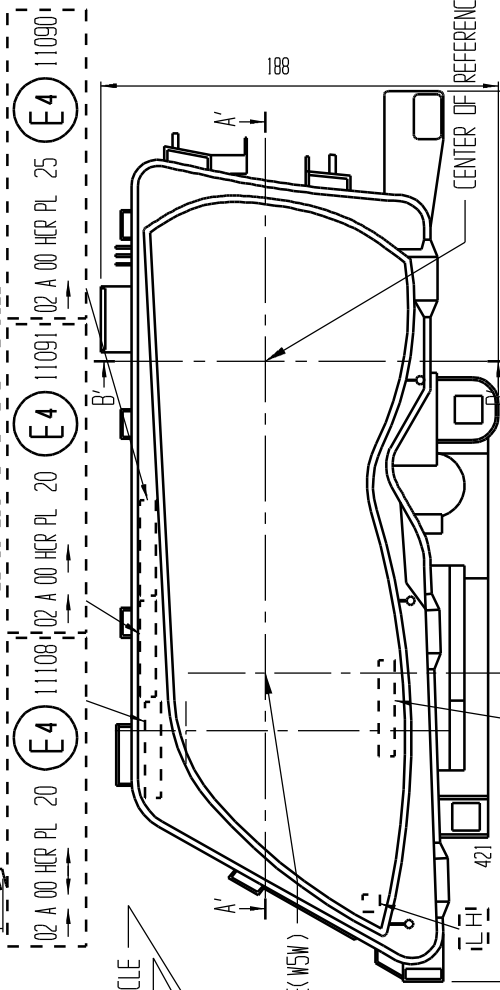
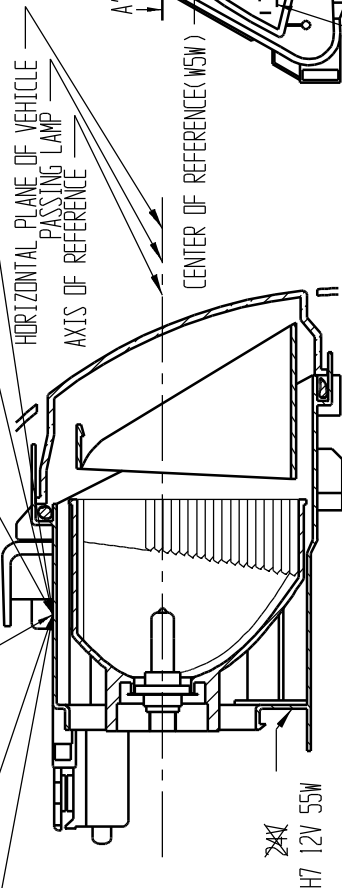


NOTE:
THIS DRAWING SHALL BE APPLIED FOR LEFT HAND ONLY.

FRONT OF VEHICLE
↓



<input type="checkbox"/>	444-1137-1110	A HR PL	02 00	E4	1109	1109
<input type="checkbox"/>	444-1131-1111	A HR PL	02 00	E4	1110	1110
<input type="checkbox"/>	444-1131-1111	A HR PL	02 00	E4	1108	1108
<input type="checkbox"/>	444-1128-1109	A HR PL	02 00	E4	1109	1109
<input checked="" type="checkbox"/>	444-1128-1101	A HR PL	02 00	E4	1109	1109



一般尺寸	公差
6以下	±0.1
6~30以下	±0.2
30~120以下	±0.3
120~150以下	±0.5
150以上	±1.0

未註記公差者通用公差表

444-1128L-LHD
444-1128L
444-1128L
(OPTIONAL) FIK 444-1128L

件號	444-1128L-LHD	名稱	材料	規格備註
製圖	彭煌淑	94/05/24	投影法	單位
設計	吳庚翰		第三角法	MM
審核	陳榮元		比例	0.4 : 1
修改說明	日期	製訂	審查	標準
版次				

