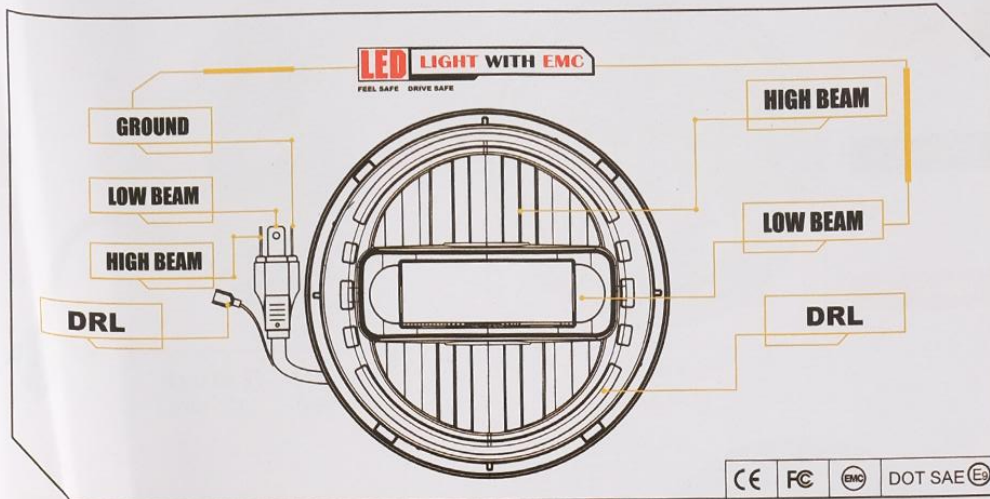
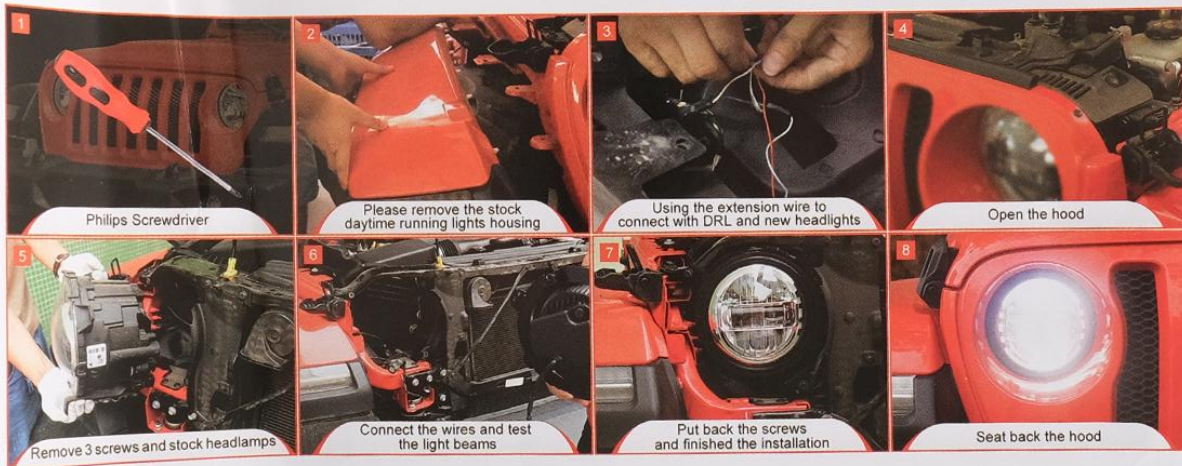


WIRING INSTRUCTION



INSTALLATION STEPS ▶

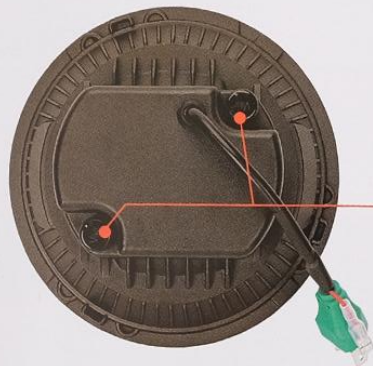
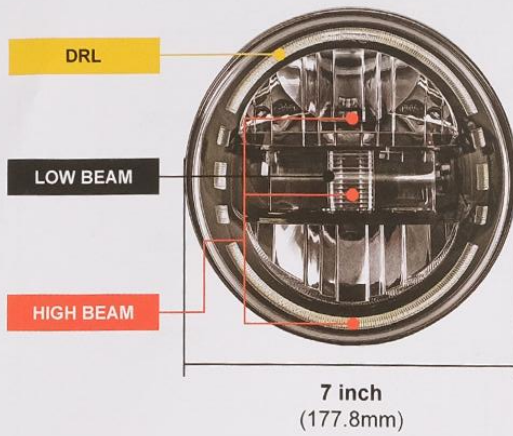


WARRANTY CARD (TO BE KEPT BY PURCHASER)

Purchase Date	(Year)	(Month)	(Date)
Warranty Period			
Purchase Store			

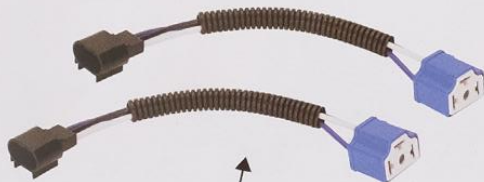
Please paste the store's stamp and guarantee barcode here.
Please notice the purchase date should be confirmed when you buy the product.

PRODUCT MANUAL

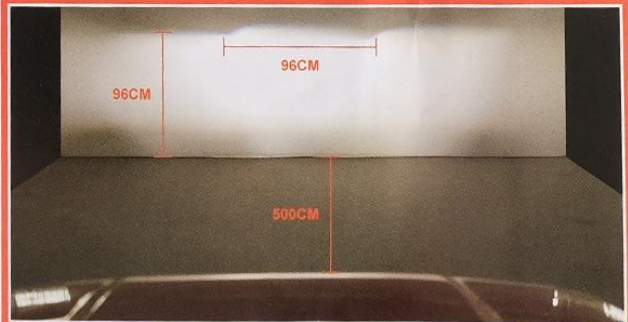


Q : How to get rid of moisture/condensation?

A : please open the ventilation breathers on the back of light when headlight is on, then the moisture will disappear within short time and headlight can work normally again and are as bright as before, which can make the lifespan much longer.



H4-H13 adapters



How to adjust the perfect beam angle?

- 1, Please adjust the horizontal alignment and vertical of the lights
- 2, Your jeep must be away from the wall 5 meters
- 3, The "Z" shape line must be 96cm in length
- 4, The lights shining on the wall must be 96cm high

