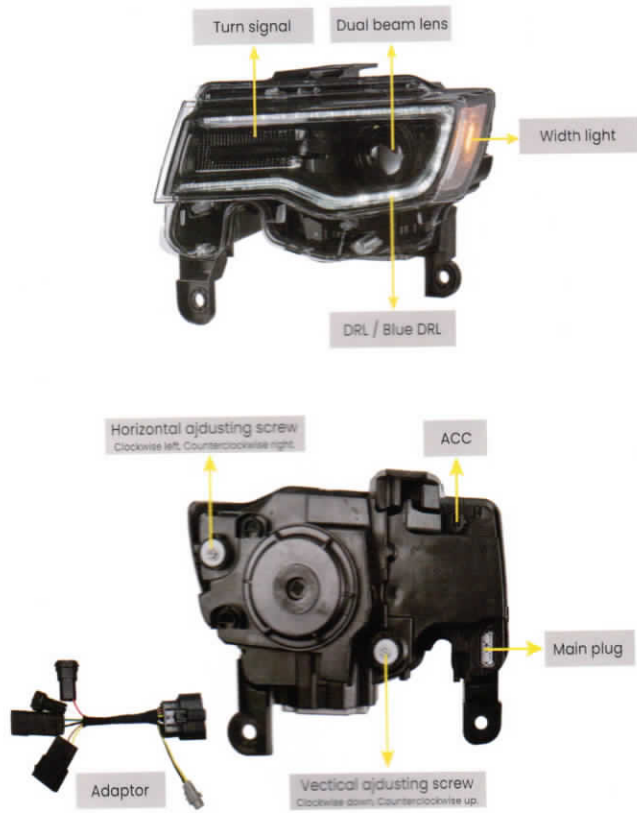
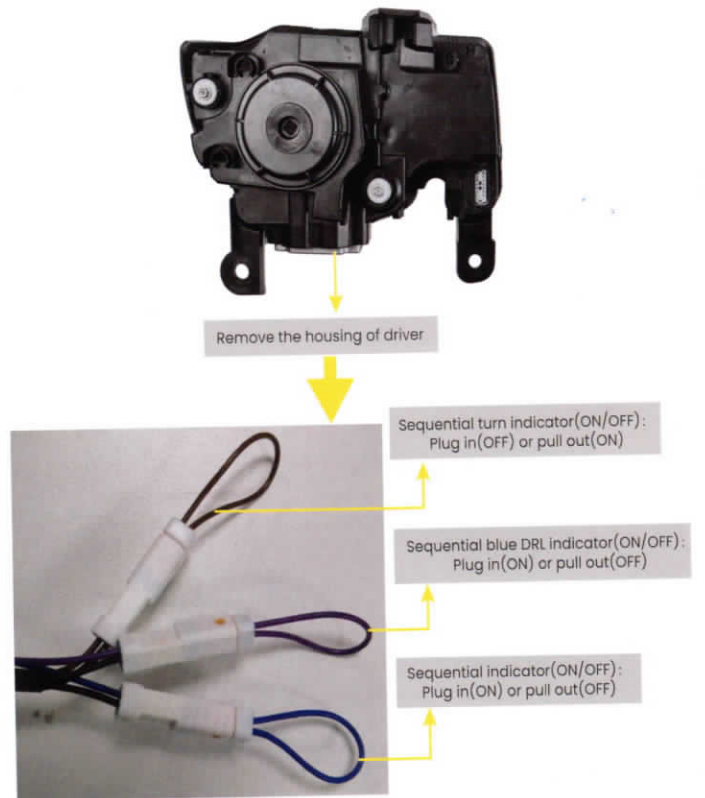


FUNCTION DESCRIPTION



1

FUNCTION DESCRIPTION



2

FUNCTION DESCRIPTION



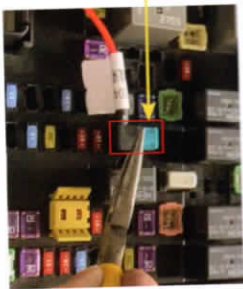
Connect



Connect

ACC connection harness

Connect with the ACC plug on the other side of headlights



ACC FUSE BOX

3

PARAMETER INFORMATION

RATED VOLTAGE:12V			
DRL POWER	11W-12W	TURN SIGNAL POWER	5.5W-6W
SUITABLE YEAR	2014-2020	HIGH BEAM	LED LENS
LOW BEAM	LED LENS		



4

SUGGESTED INSTALLATION TOOLS

(Please use with caution)

Vland strongly recommends using professional tools for installation



Safety Goggles



Safety Gloves



Soft Towel
(lay out over work area)



storage tray box
prevent missing parts



Wire Crimper



Soldering Iron



12V Test Light
Volt Meter



Electrical Tape



Screwdriver



Socket Wrench



Panel Popper

Installation Tips:

- Always wear eye protection and safety gloves to avoid any possible injuries.
- DO NOT cut or connect any wires without identifying them to avoid any possible electrical short circuit.
- Vland recommends soldering each wire connection for optimal connectivity
- Please check to ensure no electrical connection is exposed after installation to prevent damage to the product or vehicle, please use electrical tape or zip ties to organize loose wires.

Note: Installation may vary depending on the vehicle.
Removal of your vehicle's bumper may be required.

Warning: Please use the recommended safety equipment when installing Vland Headlights. Vland is not liable for any injuries or accidents that may occur during installation.

5

WARNING PRE-INSTALLATION CHECK LIST

Please read carefully before installation

Professional installation is highly recommended. Vland is not responsible for any damages or injuries due to improper installation.



Note: The above figure is a demonstration of individual errors, not only for this product. Make sure you have install it properly to avoid installation gaps, water leakage, and other situations.

6

Condensation Vs. Water Leak

Manufactures note: Condensation is a common problem that all car light manufacturers encounter. As climate changes, the humidity in the headlights can cause the fog. Once the headlights are turned on, the heat produced from the bulb will cause condensation.



Lens Fog build up



Water Leak

A. Slight fog or light condensation is normal. If this happens, park your vehicle in the sun to alleviate the condensation. Then reseat all gaskets and caps to ensure they are tightly sealed.

B. This is an image of an actual water leak. If this occurs please refer to your warranty guide either found in your packaging or please visit our website for more information.

To prevent condensation please check that all rubber gaskets, seals and o-rings are tightly sealed and secured.



Never place the lens down

Helpful hints:

- Fitment is not guaranteed if the vehicle has been in a prior collision.
- To avoid scratches and damage to your Vland Headlight. Never lay the item on the lens face down, as shown in Fig C.
- Do not modify, alter, or tamper with this product in any way. Failure to comply will void your warranty.

Warning: Do not attempt to re-seal, bake or rinse your headlights out. This can cause damage to your headlights and its internal electronic components.

There are four different types of adjusters which are located behind your headlight. Identify which adjuster your product is equipped with and use the correct tool for adjustments.



Locate the adjustment knob and turn it to appropriate height.

Disclaimer: Vland will not be held responsible for any incidents that may occur as a direct result of improper headlight adjustments.

Turn the clockwise direction to lower the beam



Turn the anticlockwise to raise light beam output

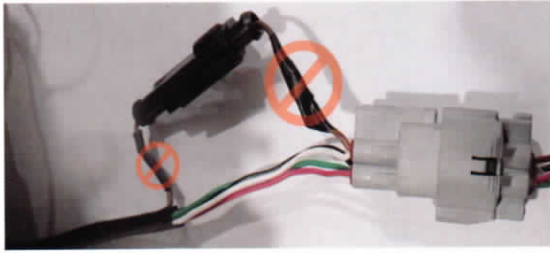
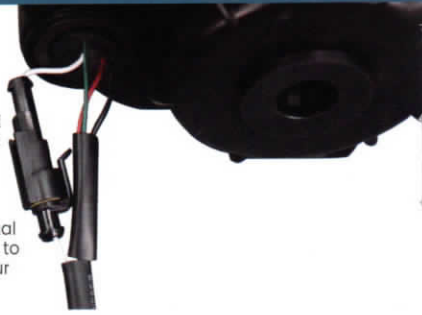
Note: Please do not use any power tools on adjustments. Vland is not liable for any damages caused by over tightening or improperly adjusting your headlights.

If your vehicle suspension is lower or lifted, please adjust accordingly.

PLUGS AND WIRES

Black wires will always be a negative pole, any other colored wire including white is a positive pole and will be hooked up to running lights

Most headlights feature individual LEDs DRL to add an extra accent to enhance the appearance of your vehicle.

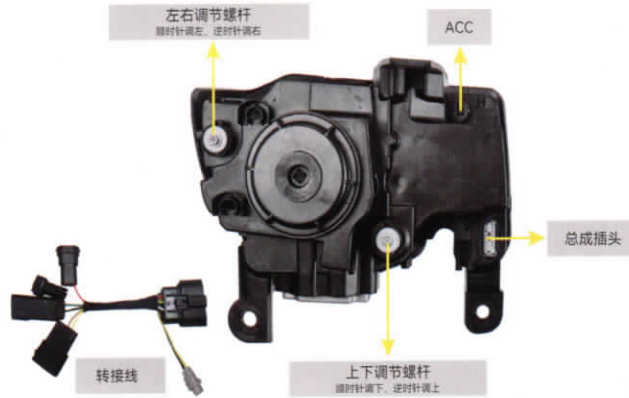
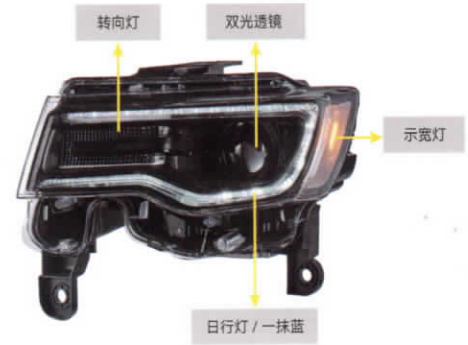


Warning: Vland does not recommend self installation for any electrical wiring. We recommend highly trained professionals to properly connect your electrical components. Vland is not liable for any damages or injuries due to improper installation.

Note: Image display are for instructional purpose only, actual product may vary.

9

功能介绍



10